



CULTEC HVLV® FC-24 Feed Connector

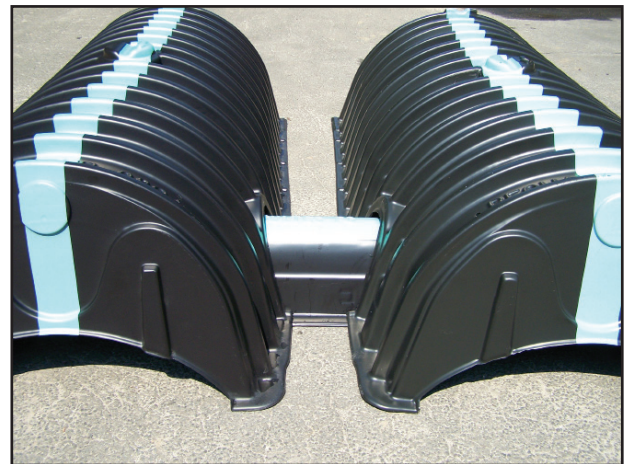
HVLV® FC-24 Feed Connectors may be used to create an internal manifold by inserting them into the side portals of the CULTEC stormwater chamber. The HVLV® FC-24 Feed Connector may be used with Recharger® 150XLHD, 180HD, 280HD, and 330XLHD chambers. They have a larger flow capacity than 12" (300 mm) diameter pipe.



Size (L x W x H)	24.2" x 16" x 12" 614 mm x 406 mm x 305 mm
Installed Length (exposed)	For Recharger 150XLHD: 6" typ. For Recharger 150XLHD: 152 mm typ. For Recharger 180HD: 3" typ. For Recharger 180HD: 76 mm typ. For Recharger 280HD: 5" typ. For Recharger 280HD: 127 mm typ. For Recharger 330XLHD: 6" typ. For Recharger 330XLHD: 152 mm typ.
Chamber Storage	0.91 ft ³ /ft 0.08 m ³ /m
Compatible Models	Recharger 150XLHD , 180HD, 280HD, & 330XLHD

HVLV FC-24 Feed Connector Bare Chamber Storage Volumes

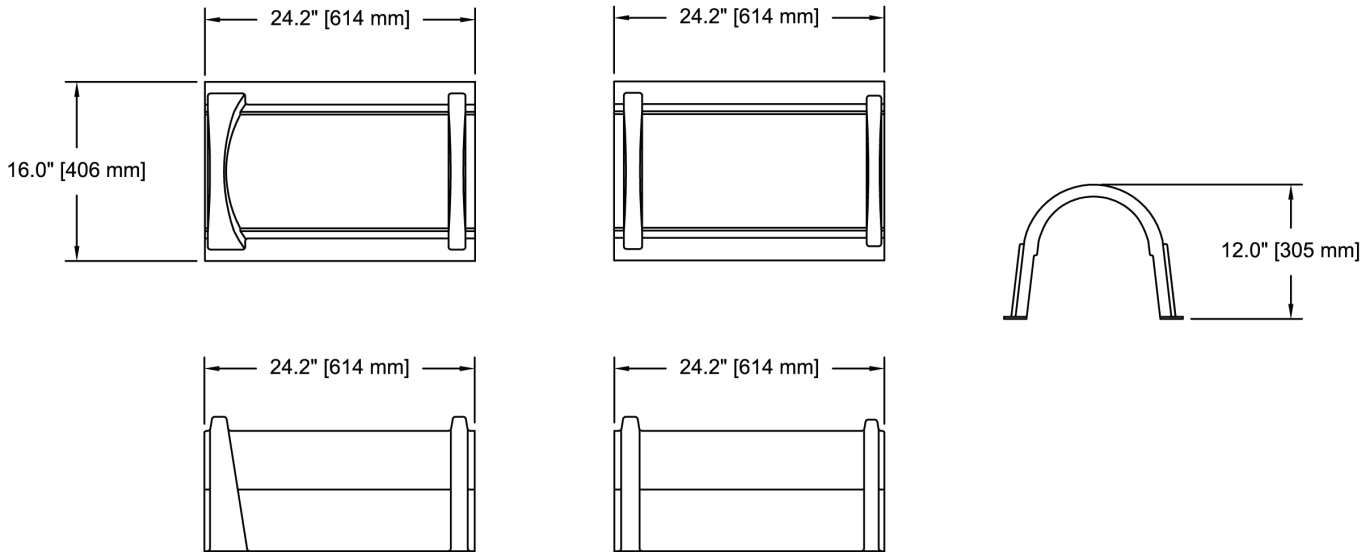
Elevation		Incremental Storage Volume		Cumulative Storage	
in.	mm	ft ³ /ft	m ³ /m	ft ³ /ft	m ³ /m
12	305	0.004	0.000	0.913	0.085
11	279	0.031	0.003	0.909	0.084
10	254	0.060	0.006	0.878	0.082
9	229	0.073	0.007	0.818	0.076
8	203	0.081	0.008	0.745	0.069
7	178	0.085	0.008	0.664	0.062
6	152	0.089	0.008	0.579	0.054
5	127	0.093	0.009	0.490	0.046
4	102	0.095	0.009	0.397	0.037
3	76	0.097	0.009	0.302	0.028
2	51	0.099	0.009	0.205	0.019
1	25	0.106	0.010	0.106	0.010
Total		0.913	0.085	0.913	0.085



Shown: CULTEC HVLV FC-24 Feed Connector inserted into side portals of CULTEC chamber.

Calculations are based on ft³/ft (m³/m).
Multiply by the installed length (exposed) to calculate storage per unit.

Three View Drawing



CULTEC HVLV® FC-24 Feed Connector Specifications

GENERAL

CULTEC HVLV® FC-24 Feed Connectors are designed to create an internal manifold for CULTEC Recharger model 150XLHD, 180HD, 280HD, and 330XLHD stormwater chambers.

CHAMBER PARAMETERS

1. The chambers will be manufactured by CULTEC, Inc. of Brookfield, CT. (203-775-4416 or 1-800-428-5832)
2. The chamber shall be vacuum thermoformed of polyethylene with a black interior and blue exterior.
3. The chamber will be arched in shape.
4. The chamber will be open-bottomed.
5. The nominal chamber dimensions of the CULTEC HVLV® FC-24 Feed Connector shall be 12 inches (305 mm) tall, 16 inches (406 mm) wide and 24.2 inches (614 mm) long.
6. The nominal storage volume of the HVLV® FC-24 Feed Connector will be 0.913 ft³ / ft (0.085 m³ / m) - without stone.
7. The HVLV® FC-24 Feed Connector chamber shall have 2 corrugations.
8. The HVLV® FC-24 Feed Connector must be formed as a whole chamber having two open end walls and having no separate end plates or separate end walls. The unit will fit into the side portals of the CULTEC Recharger stormwater chamber and act as cross feed connections creating an internal manifold.
9. The chamber shall be manufactured in an ISO 9001:2015 certified facility.