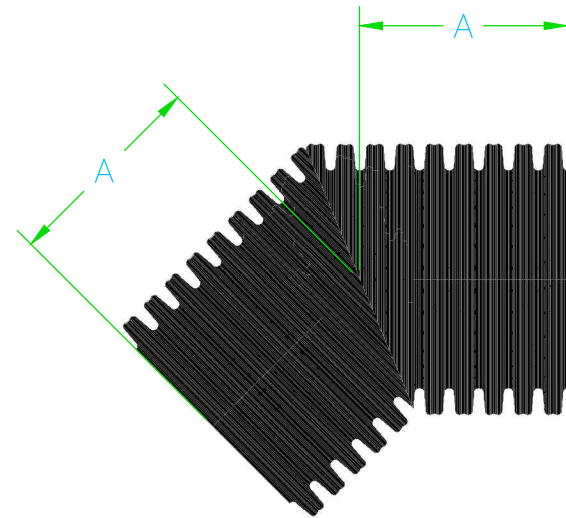


MaXflo HDPE 45° ELBOW STANDARD DESIGN



JOINT TYPES:

- EXTERNAL SPLIT COUPLERS - SOIL TIGHT
- BELL X BELL SEAL TIGHT COUPLER - SOIL TIGHT
- BELL X BELL SEAL TIGHT COUPLER W/ STAINLESS STEEL STRAPS - WATERTIGHT
- POLYSEAL MAR MAC COUPLER - WATERTIGHT

*FITTINGS ARE FABRICATED FROM TIMEWELL MAXFLO CORRUGATED HDPE DUAL WALL PIPE CONFORMING TO AASHTO M252 & M294.

SIZE	A	PART #
4"	4.0"	09004-04-45-DW
6"	4.4"	09006-06-45-DW
8"	8.0"	09008-08-45-DW
10"	9.0"	09010-10-45-DW
12"	10.4"	09012-12-45-DW
15"	12.0'	09015-15-45-DW
18"	15.5"	09018-18-45-DW
24"	17.5"	09024-24-45-DW
30"	18.0"	09030-30-45-DW
36"	24.5"	09036-36-45-DW
42"	29.3"	09042-42-45-DW
48"	33.2'	09048-48-45-DW

*FITTING DIMENSIONS ARE FOR REFERENCE ONLY.

REV	DESCRIPTION	BY	DATE	CHK'D
1	DETAILS AND NOTES	BMH	1/2/2019	

MaXflo HDPE 45° ELBOW STANDARD DESIGN

DRAWING NUMBER:



DRAWN BY:	BMH
DATE:	1/10/2012
CHECKED BY:	-
SCALE:	NTS
SHEET:	1 of 1