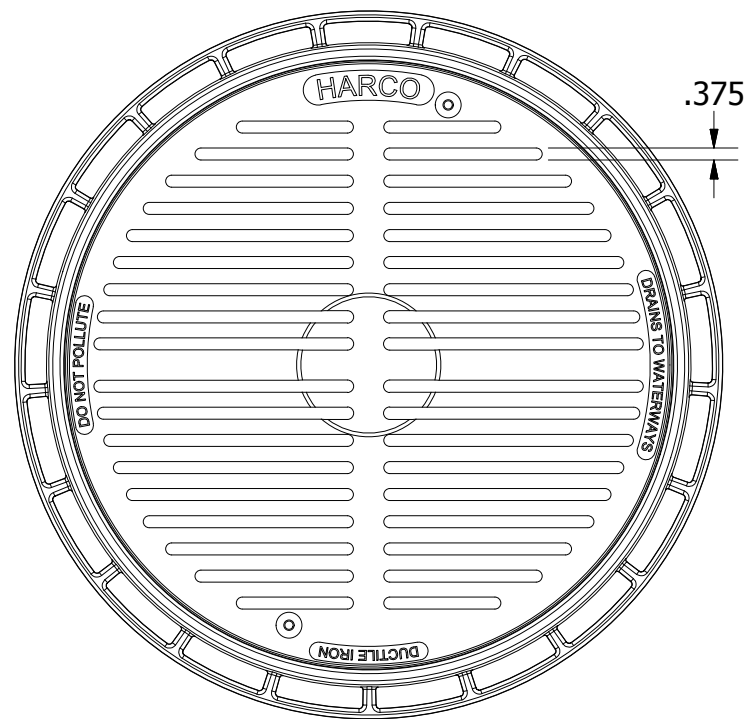
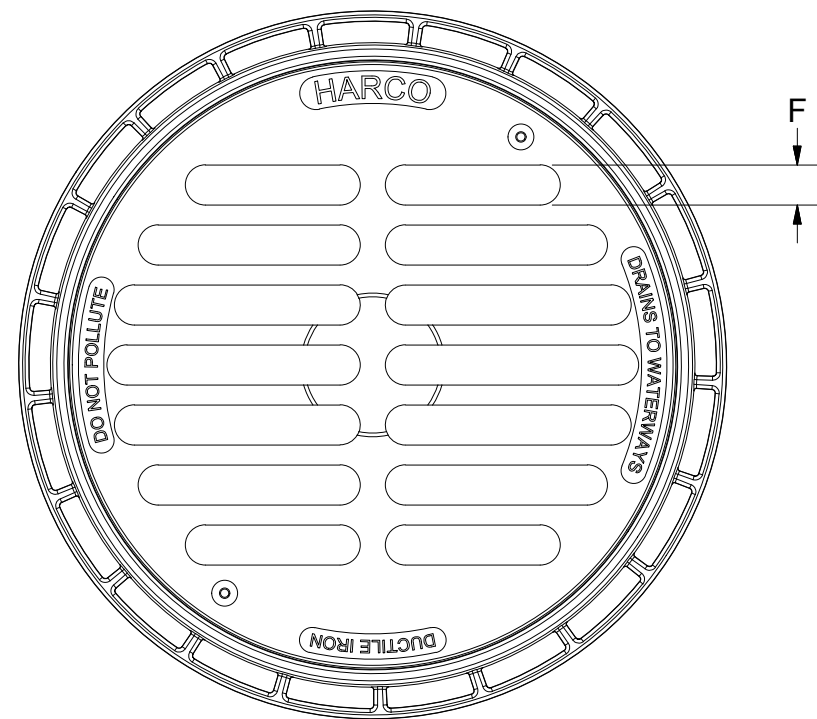


A B C D E F G H J K

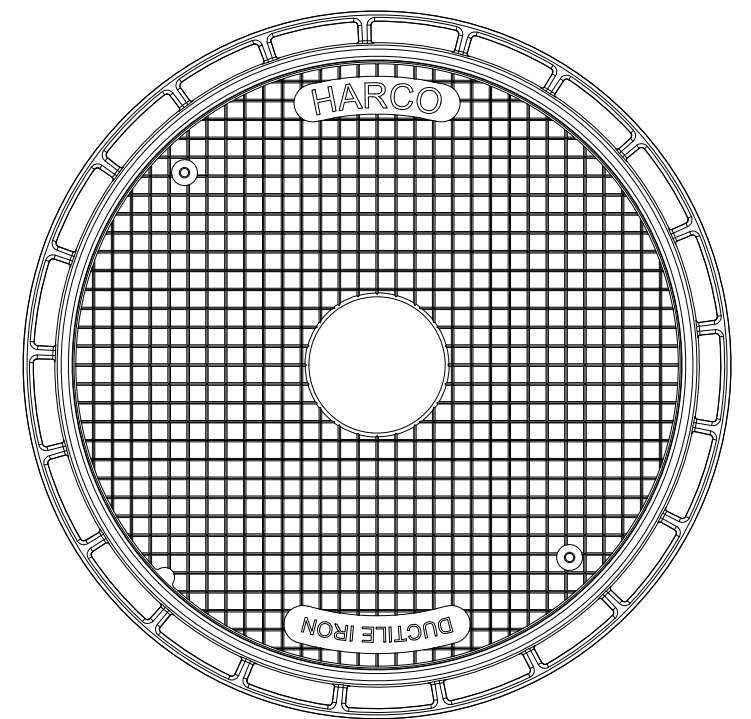
1
2
3
4
5
6
7
8
9
10



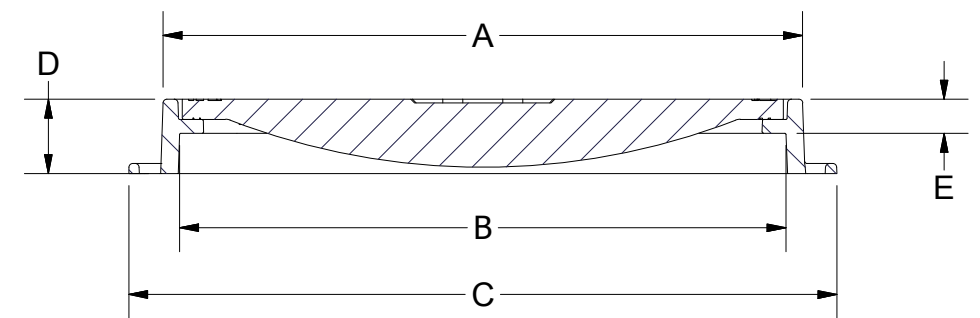
PEDESTRIAN
AVAILABLE 12"-30"



STANDARD
AVAILABLE 12"-36"




SOLID
AVAILABLE 12"-36"



STANDARD GRATE HAS H-25 HEAVY DUTY RATING
 SOLID COVER HAS H-25 HEAVY DUTY RATING
 PEDESTRIAN HAS H-10 MEDIUM DUTY RATING
 MATERIAL: DUCTILE IRON GRATE AND FRAME
 MATERIALS SHALL CONFORM TO ASTM A536 80-55-06
 PAINT: CASTINGS ARE FURNISHED WITH BLACK PAINT
 LOCKING DEVICE: 12" & 15" USE 1/4" X1.75" HEX BOLT
 18"-36" USE 5/16"X1.25" HEX BOLT

Size	A [in]	B [in]	C [in]	D [in]	E [in]	F [in]	APPROX OPEN AREA [IN^2]
12	13.40	12.75	15.51	2.36	1.02	0.5	41.26 (PED), 40.95 (STAND)
15	16.20	15.55	18.27	2.24	1.06	1.00	61.64 (PED), 73.03 (STAND)
18	19.98	18.95	22.13	2.32	1.06	1.25	88.26 (PED), 115.40 (STAND)
24	25.79	25.05	27.91	2.64	1.26	1.25	170.42 (PED), 192.04 (STAND)
30	33.03	32.25	35.24	2.68	1.26	1.00	277.94 (PED), 322.99 (STAND)
36	39.55	38.55	42.68	2.99	1.34	1.25	471.82 (STAND)

<p>NOTICE</p> <p>This document contains confidential or proprietary information of The Harrington Corporation. Neither the document nor the information therein is to be reproduced, distributed, or disclosed, either in whole or in part, except as specifically authorized, in writing, by The Harrington Corporation. Copyright 2014 The Harrington Corporation/ Harco Fittings.</p>	<p>NOTES EXCEPT AS SPECIFIED</p> <p>1. All Dimensions in inches. 2. Do Not Scale Drawing. 3. Deburr All Edges. 4. All Dimensions are for a Finished Product. 5. 1/8" Fillets & Rounds Unless Otherwise Noted.</p>	<p>7. Tolerances: .XX = 0.03 .XXX = 0.005 .XXXX = 0.0005 Fractions = ± 1/32" Angles = ± 1/2°</p>	<p>DRAWN BY: DAC</p> <p>DWG DATE: 1/24/2014</p> <p>MATERIAL:</p>	<p>DETAILED BY: DAC</p> <p>REVIEWED BY:</p>	<p>SCALE: n/a</p> <p>SHEET: 1 of 1</p>	<p>Rev:</p>	<p>Effective Date:</p>	 <p>THE HARRINGTON CORPORATION</p>
		<p>DRAWING NUMBER: 12-36 Grate Cut Sheet.idw</p>	<p>TITLE: Harco Round Grate and Frame Detail</p>					