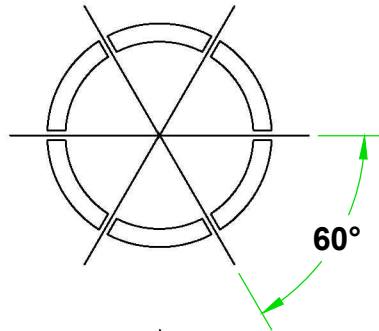
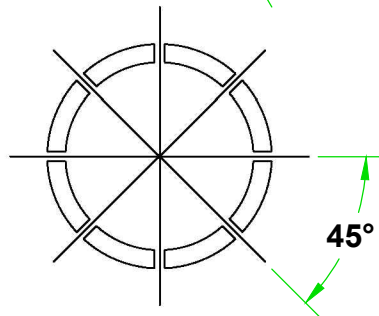


AASHTO M294 PERFORATIONS

12" - 18"
(DETAIL #5)



24" & LARGER
(DETAIL #5)



DRAWING IS FOR REFERENCE ONLY

**FOR 12" & LARGER CORRUGATED HDPE PIPE
PER AASHTO M294**

PERFORATION DETAILS:

1. CIRCULAR PERFORATION DIAMETERS ARE A MIN. OF $\frac{1}{4}$ " AND DO NOT EXCEED $\frac{3}{8}$ ".
2. WHEN SPECIFIED, THE SLOT SIZES SHALL NOT EXCEED $\frac{1}{10}$ " X $2\frac{1}{2}$ " FOR 12" & 15" PIPE AND 3" FOR 18" PIPE AND LARGER.
3. PIPE SHALL BE PERFORATED IN THE CORRUGATION VALLEYS AND SPACED UNIFORMLY ALONG THE LENGTH AND CIRCUMFERENCE OF THE PIPE.
4. OPEN INLET AREA = $1\frac{1}{2}$ SQ IN. / LF FOR PIPE 12" - 18" IN DIAMETER, AND 2 SQ IN. / LF FOR PIPE LARGER THAN 18" IN DIAMETER .
5. 12" - 18" PIPE SHALL HAVE 6 UNIFORM ROWS OF PERFORATIONS AND PIPE SIZES 24" AND LARGER SHALL HAVE 8 ROWS OF UNIFORM PERFORATIONS.

NOTE: WHEN PERFORATED PIPE IS SPECIFIED, THE PERFORATIONS ARE TO MEET THE REQUIREMENTS OF CLASS 2 AS INDICATED IN AASHTO M294. IF CLASS 1 IS SPECIFICALLY REQUIRED IT MUST BE CLEARLY COMMUNICATED TO TIMEWELL DRAINAGE PRODUCTS WHEN ORDERED.

TIMEWELL, INC. HAS PREPARED THIS DRAWING BASED ON INFORMATION THAT WAS PROVIDED TO TIMEWELL. THE DETAILS ARE INTENDED TO REPRESENT THE COMPONENTS AS REQUESTED. TIMEWELL HAS NOT PERFORMED ANY DESIGN SERVICES OR ENGINEERING FOR THIS PROJECT. TIMEWELL HAS NOT INDEPENDENTLY VERIFIED THE INFORMATION SUPPLIED. INSTALLATION RECOMMENDATIONS ARE GENERAL AND ARE NOT SPECIFIC TO THIS PROJECT. IT IS THE DESIGN ENGINEER'S RESPONSIBILITY TO REVIEW THESE DETAILS AND ENSURE THAT THEY MEET OR EXCEED THE APPLICABLE NATIONAL, STATE, OR LOCAL REQUIREMENTS AND ENSURE THAT THE DETAILS PROVIDED ARE ACCEPTABLE FOR THIS PROJECT.

REV	DESCRIPTION	BY	DATE	CHK'D

AASHTO M294 PERFORATIONS CLASS 2				
DRAWING NUMBER:				



DRAWN BY:	BMH
DATE:	10/14/2011
CHECKED BY:	-
SCALE:	NTS
SHEET:	1 Of 1